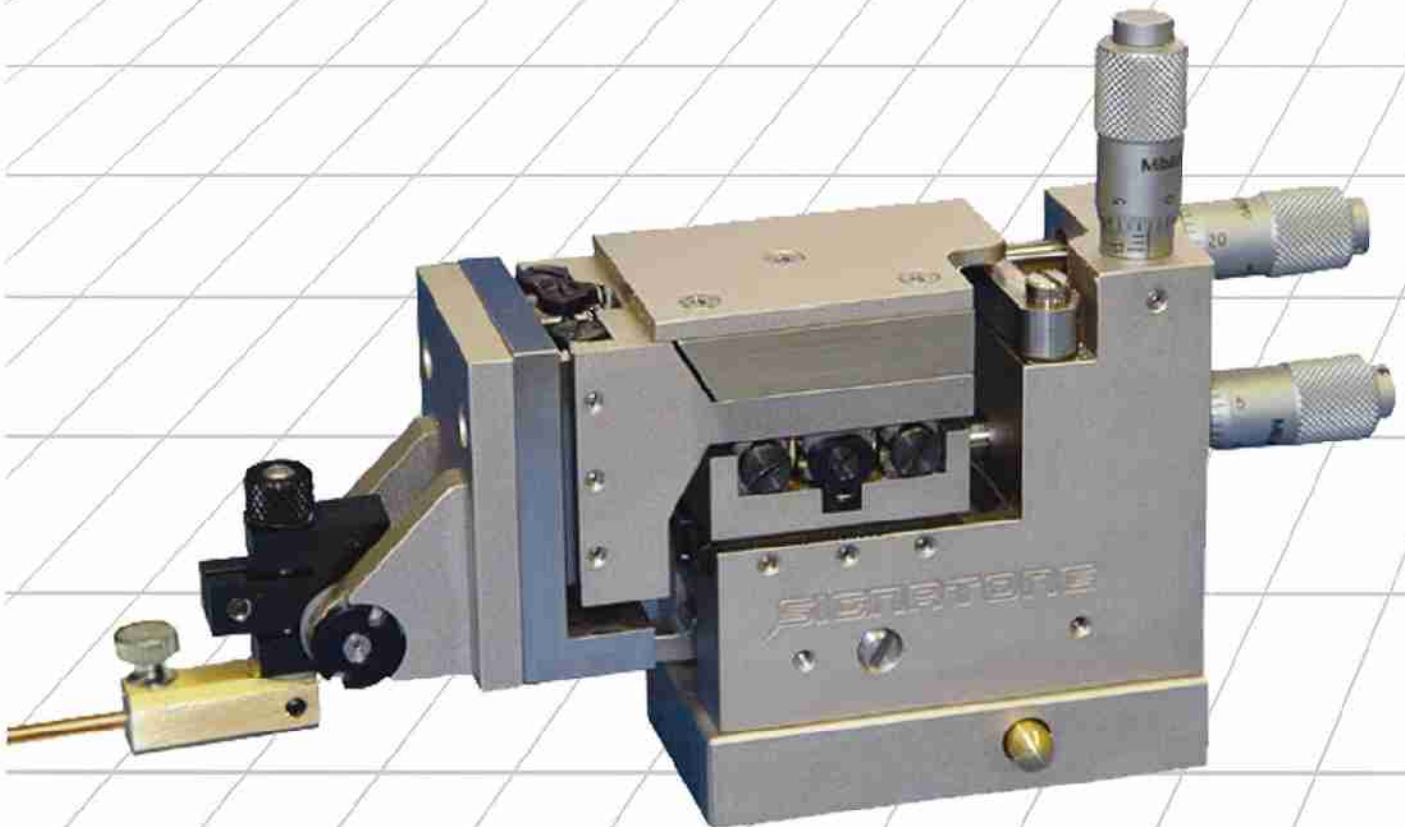


SP-150 SERIES



High-Resolution In-Line Micropositioner

The SP-150 is a small footprint, narrow profile micropositioner optimized for the most demanding sub-micron failure analysis applications. Utilizing oversized cross-roller bearings and base-mounted micrometers to minimize hand-coupled vibration, this is simply the best direct-drive positioner you can buy - Period!

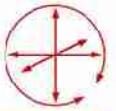


PERFORMANCE, QUALITY, VALUE

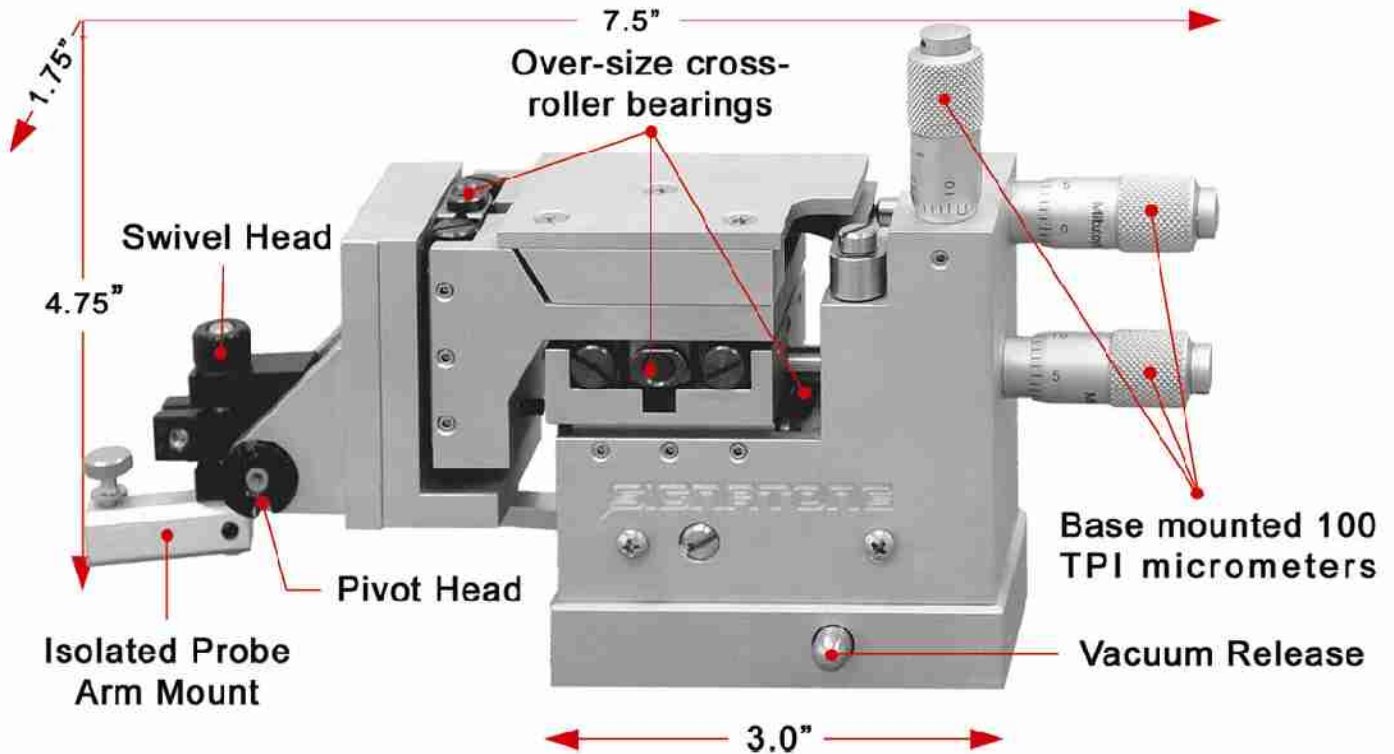
SIGNATONE®

Advanced Microprobing Solutions Since 1968

SP-150 SERIES



Features



The SP-150 has been designed to be the most mechanically stable manual micropositioner on the market. All axis drive micrometers are mounted into the base block assembly to improve vibration isolation. The over-sized cross-roller bearings insure absolute rectilinear motion throughout the entire travel range, and exhibit negligible bearing-induced wobble. The fully articulated probe arm mounting system gives you the most flexible and easy to use combination of pivot and swivel motions, which is invaluable when you need to replace damaged needles, or set up coarse probe positioning. The SP-150 accepts all of the standard SIGNATONE probe holders, including single line, coax, triax, and true dual-contact Kelvin probes. The positioner is also available with a flush customizable endplate to accommodate special applications, such as holding fiber chucks and lightwave detectors.

Configurations

SP-150-[]-[]

S = Standard Head
P = Pivot/Tilt Head

V = Vacuum Base
M = Magnetic Base

SIGNATONE

393-J Tomkins Court, Gilroy CA 95020

Phone: 408-848-2851 Fax: 408-848-5763

E-Mail: sales@signatone.com WWW: <http://www.signatone.com>